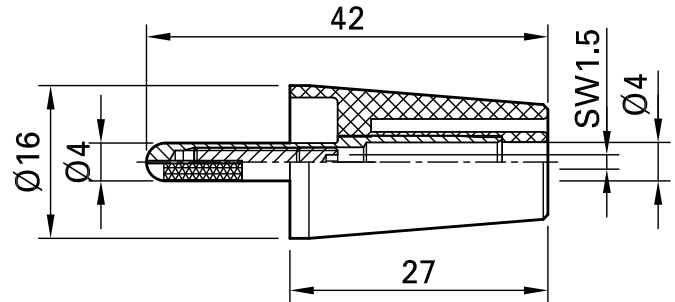
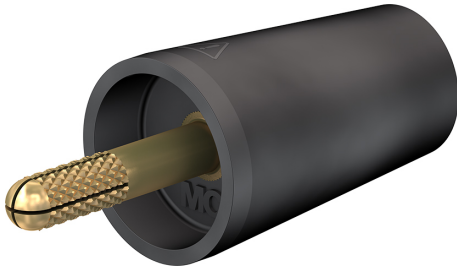


A-SLK4



Item number 24.0160-*

Adapter, made of brass can be screw-mounted into Ø 4 mm sockets. The expandable Ø 4 mm plug of this adapter can be locked into the socket by tightening the grub screw. Assembled, the adapter offers complete touch-proof protection. Ø 4 mm rigid socket in insulator accepting spring-loaded Ø 4 mm plugs with rigid insulating sleeve.

Technical data	
Diameter of plug system	4 mm
Rated Values	1000 V, CAT II, 32 A
Surface treatment electrical contact	Au
Base material electrical contact	CuZn
Standard color(s) *	20 21 22 23 24 25 26 27 28 29
Test accessory acc. to	IEC EN 61010-031
User-Information	I 010
Remarks	Accessories: Hexagon wrench STS1,5