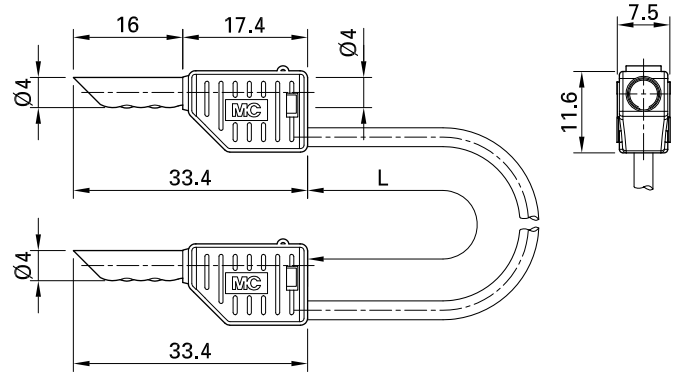


LK4-B/SIL



Item number 28.0056-*

Highly flexible, with stackable Ø 4 mm hollow plugs on both ends.

Technical data	
Diameter of plug system	4 mm
Rated Values	30 V, 19 A / 60 V, 19 A
Surface treatment electrical contact	Au
Base material electrical contact	CuBe
Standard color(s) *	21 22 23 24 25
Optional color(s)	26 29
Lead lengths <input type="text"/>	025; 050; 100; 200 cm
Lead insulation	SIL
Lead cross section	1,0 mm ²
Test accessory acc. to	IEC EN 61010-031
User-Information	I 096