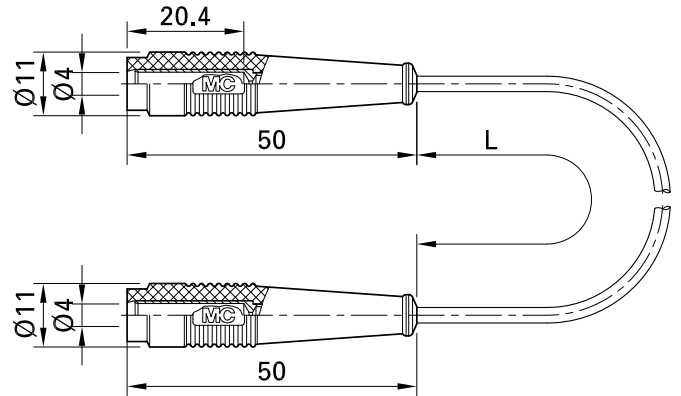


# LK425K-41/A



Item number 64.1024-\*

Highly flexible, with Ø 4 mm rigid sockets on both ends.

Technical data	
Diameter of plug system	4 mm
Rated Values	30 V, 32 A / 60 V, 32 A
Surface treatment electrical contact	Au
Base material electrical contact	CuZn
Standard color(s) *	<span style="background-color: black; color: white; padding: 2px;">21</span> <span style="background-color: red; color: white; padding: 2px;">22</span>
Optional color(s)	<span style="background-color: blue; color: white; padding: 2px;">23</span> <span style="background-color: yellow; color: black; padding: 2px;">24</span> <span style="background-color: green; color: white; padding: 2px;">25</span> <span style="background-color: orange; color: white; padding: 2px;">27</span> <span style="background-color: gray; color: white; padding: 2px;">28</span> <span style="background-color: lightgray; color: black; padding: 2px;">29</span>
Lead lengths <input type="text"/>	100 cm
Lead insulation	PVC
Lead cross section	2,5 mm <sup>2</sup>
Test accessory acc. to	IEC EN 61010-031
User-Information	I 099