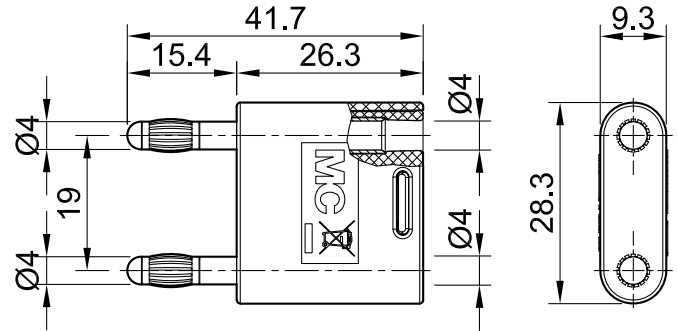


KS2-4N-19



Item number 64.4010-*

Insulated, Ø 4 mm, made of brass. Plugs with spring-loaded MULTILAM contact technology. With insulated grip. At rear with two in-line Ø 4 mm rigid sockets accepting spring-loaded Ø 4 mm plugs.

Technical data	
Diameter of plug system	4 mm
Rated Values	30 V, 32 A / 60 V, 32 A
Surface treatment electrical contact	Ni
Base material electrical contact	CuZn
Standard color(s) *	20 21 22 23 24 25 26 27 28 29 30
Plug spacing	19 mm
Test accessory acc. to	IEC EN 61010-031
User-Information	I 099