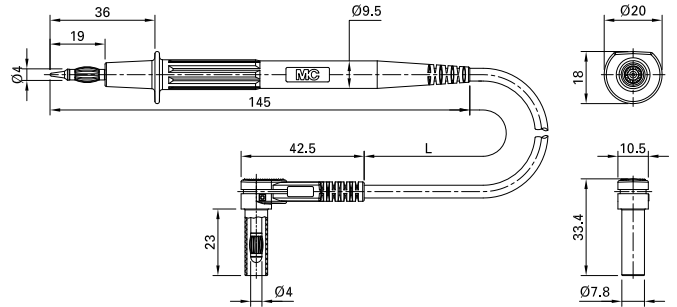


# XPS-484



Item number 66.9007-  \*

Highly flexible, one end with Ø 4 mm test probe with spring-loaded MULTILAM, the other end with right angled Ø 4 mm MULTILAM plug with rigid insulating sleeve. Supplied with protective cap.

Technical data	
Diameter of plug system	4 mm
Rated Values	1000 V, CAT III, 19 A
Surface treatment electrical contact	Ni
Base material electrical contact	CuZn
Standard color(s) *	<span style="background-color: black; color: white; padding: 2px;">21</span> <span style="background-color: red; color: white; padding: 2px;">22</span>
Optional color(s)	<span style="background-color: blue; color: white; padding: 2px;">23</span>
Lead lengths <input type="text"/>	100; 150 cm
Lead insulation	SIL
Lead cross section	1,0 mm <sup>2</sup>
Test accessory acc. to	IEC EN 61010-031
Remarks	Pluggable accessories: Dolphin Clip XDK-1033P
Approvals	UL, CE