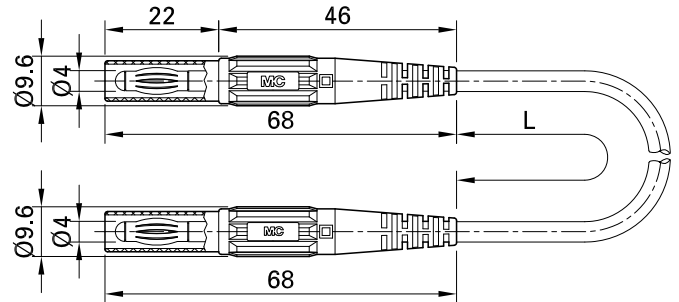


XMS-414



Item number 66.9014-*

Highly flexible, with in-line Ø 4 mm MULTILAM plug with rigid insulating sleeve on both ends.

Technical data	
Diameter of plug system	4 mm
Rated Values	1000 V, CAT III, 19 A
Surface treatment electrical contact	Ni
Base material electrical contact	CuZn
Standard color(s) *	<input type="checkbox"/> 21 <input type="checkbox"/> 22 <input type="checkbox"/> 23 <input type="checkbox"/> 24 <input type="checkbox"/> 25
Optional color(s)	<input type="checkbox"/> 20 <input type="checkbox"/> 26 <input type="checkbox"/> 27 <input type="checkbox"/> 29
Lead lengths <input type="text"/>	050; 100; 150; 200 cm
Lead insulation	SIL
Lead cross section	1,0 mm ²
Test accessory acc. to	IEC EN 61010-031
Approvals	UL, CE