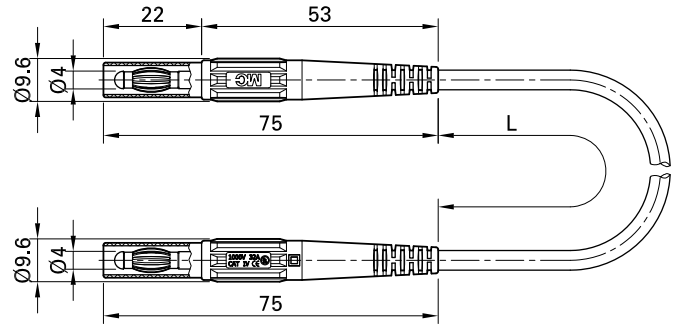


XMF-419



Item number 66.9391-*

Highly flexible, with in-line Ø 4 mm MULTILAM plug with rigid insulating sleeve on both ends.

Technical data	
Diameter of plug system	4 mm
Rated Values	1000 V, CAT IV, 32 A
Surface treatment electrical contact	Ni
Base material electrical contact	CuZn
Standard color(s) *	21 22 23 27 28
Optional color(s)	24 25
Lead lengths <input type="text"/>	050; 100; 150; 200 cm
Lead insulation	PVC
Lead cross section	2,5 mm ²
Test accessory acc. to	IEC EN 61010-031
Approvals	UL, CE