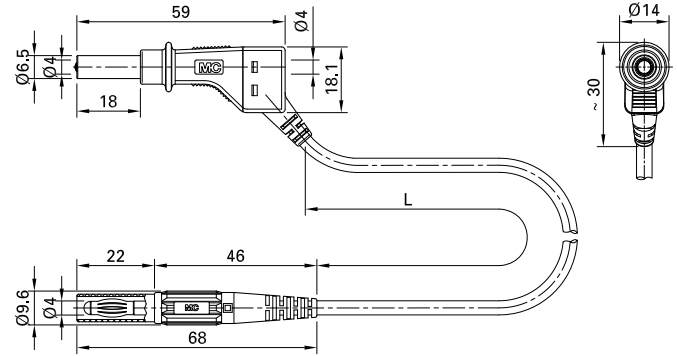


XZG410-L



Item number 66.9411-*

Highly flexible, one end with stackable Ø 4 mm MULTILAM plug with protective collar and retractable sleeve to prevent accidental touching. The other end with in-line Ø 4 mm MULTILAM plug with rigid insulating sleeve, e.g. for connecting probes or test clips. Especially suitable for connecting to electrical devices not (yet) equipped with safety sockets.

Technical data	
Diameter of plug system	4 mm
Rated Values	600 V, CAT II, 19 A
Surface treatment electrical contact	Ni
Base material electrical contact	CuZn
Standard color(s) *	21 22 23
Optional color(s)	20 24 25 26 27 28 29
Lead lengths <input type="text"/>	100; 200 cm
Lead insulation	PVC
Lead cross section	1,0 mm ²
Test accessory acc. to	IEC EN 61010-031
User-Information	I 073
Approvals	CE