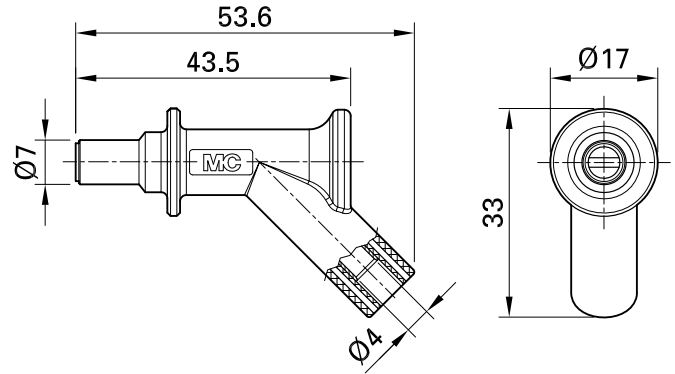


XMA-7



Item number 66.9516-*

For connection of screw heads with rigid Ø 4 mm socket in insulator, suitable for mating with spring-loaded Ø 4 mm plugs with rigid insulating sleeve.

| Technical data | |
|--------------------------------------|----------------------|
| Diameter of plug system | 4 mm |
| Rated Values | 1000 V, CAT III, 2 A |
| Surface treatment electrical contact | Ni |
| Standard color(s) * | 21 22 23 |
| Diameter magnet | 7.0 mm |
| Test accessory acc. to | IEC EN 61010-031 |
| User-Information | I 500 |
| Approvals | CE |